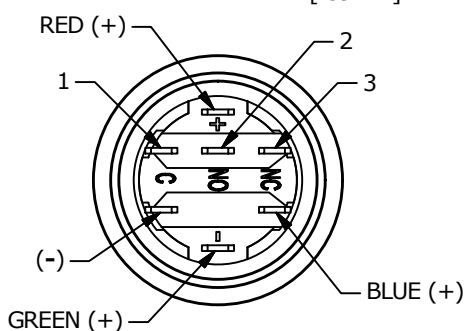
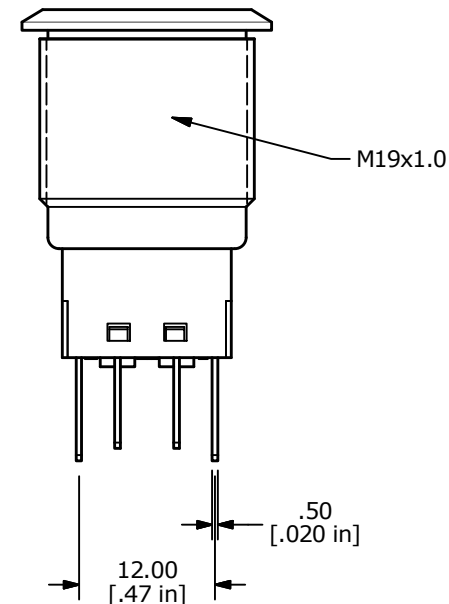
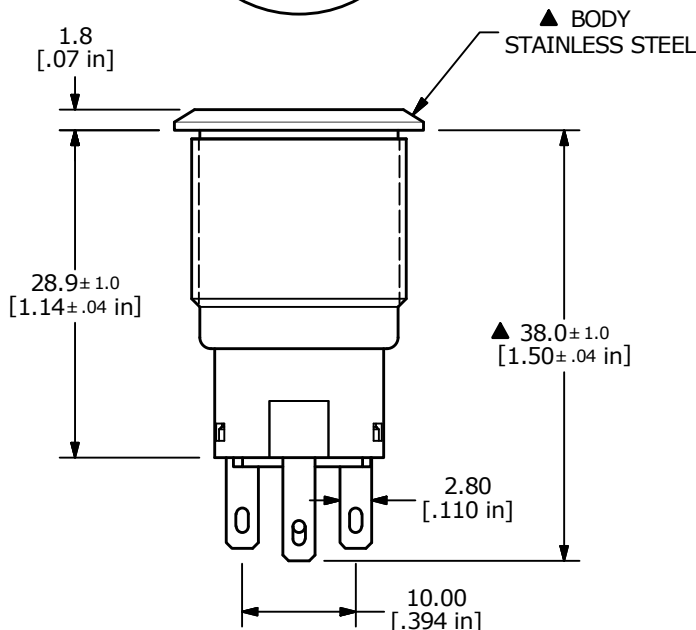
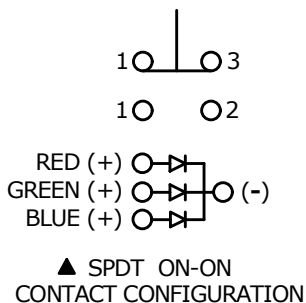


▲ SWITCH FUNCTION

POS. 1	POS. 2
ON	ON
1-3	1-2



NOTE:

- ALL DIMENSIONS IN mm [INCH]
- GENERAL TOLERANCE: X.X ± 0.4
X.XX ± 0.25
- TERMINAL NUMBERS FOR REF ONLY
- CONTACT MATERIAL: SILVER
- RATING: 2A 24VDC
- ELECTRIC LIFE: 50,000 MAKE-AND-BREAK CYCLES AT FULL LOAD.
- INSULATION RESISTANCE: 1,000 M Ω MIN.
- DIELECTRIC STRENGTH: 2,000 VAC MIN. FOR 1 MINUTE
- CONTACT RESISTANCE: 50m Ω MAX. @ 1A 12VDC
- OPERATING TEMP.: -25°C to 55°C
- TRAVEL: 2.8mm
- ▲ DENOTES CRITICAL PARAMETER
- INGRESS PROTECTION: IP67
- HARDWARE SUPPLIED: O-RING AND HEXNUT
- ILLUMINATION VOLTAGE:
RED: 1.8V
GREEN: 2.8V
BLUE: 2.8V



A	23866	NEW RELEASE	4/26/19	MW
REV	PCR NO	DESCRIPTION	DATE	BY

TITLE PV4F230SS-3R1				
SCALE 3:2	DATE 4/26/2019	DR MW	DWG 52-PV4F230SS3R1	REV A

THE INFORMATION CONTAINED IN THIS DOCUMENT IS PROPRIETARY TO E-SWITCH AND IS NOT TO BE COPIED OR TRANSFERRED